

Hutchison-Hayes Separators, Inc.

Model SAMM 25 006 Parts List With Diagrams

P.O. Box 2965 ♦ Houston, Texas 77252
3520 East Belt ♦ Houston, Texas 77015
(713) 455-9600 ♦ Fax (713) 455-7753

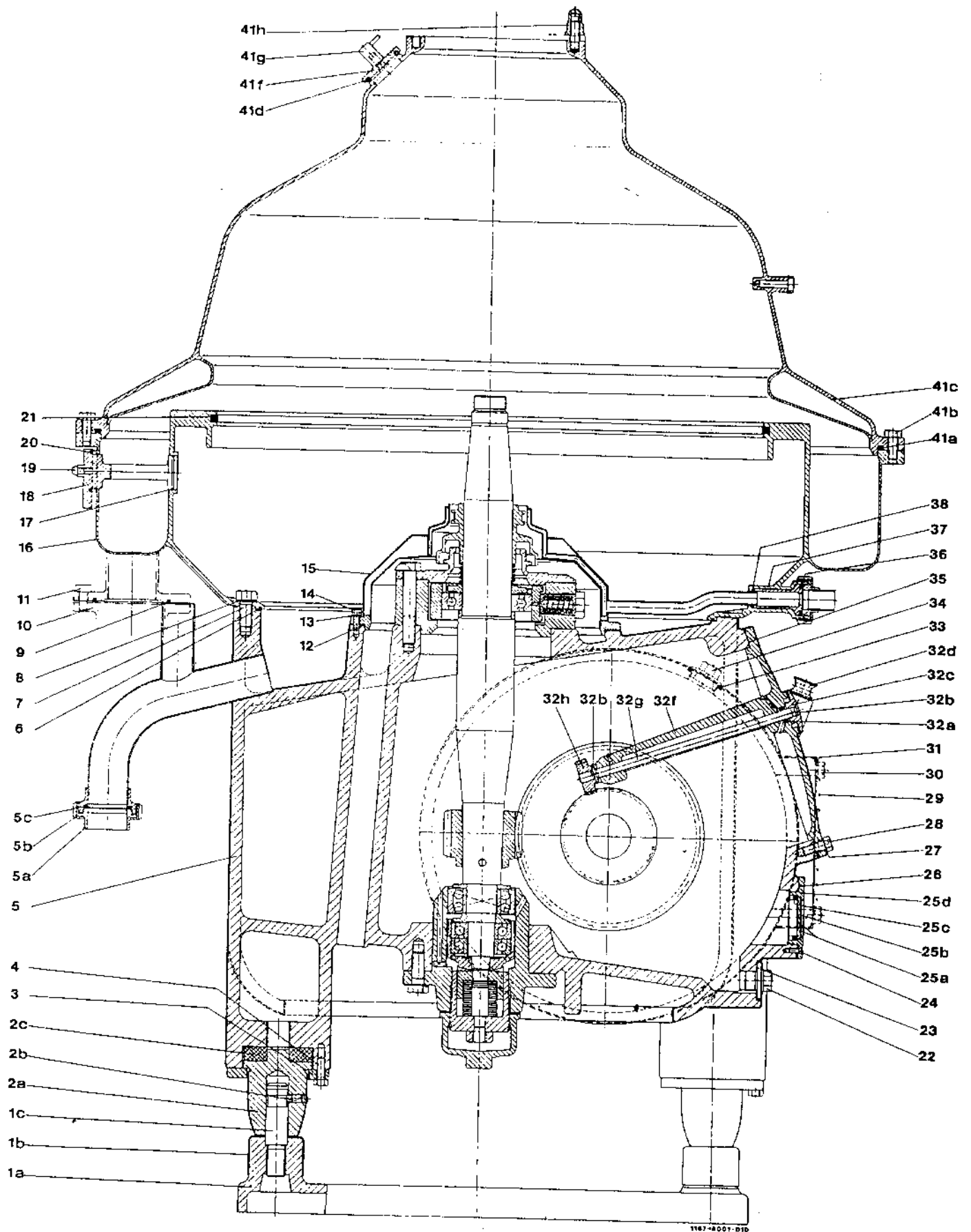


Fig. 13/1

1167-031

No. in Fig.	Part - No.	Qty.	Part Description
-	3170-1020-010	1	Foundation frame assembly (1a-c)
1a	3170-1003-010	1	Foundation frame
1b	0026-2031-300	4	Cap
1c	3157-1033-000	4	Bolt
-	2315-1015-010	4	Foot assembly (2a-c)
2a	2315-1011-000	4	Foot, stainless steel coated
2b	0019-6387-400	4	Threaded pin M 12x28 DIN 915
2c	0021-3018-750	4	Rubber cushion
3	0001-0516-300	4	Flange
4	0019-6937-400	12	Hex head screw M 10x30 DIN 933
5	1166-1006-020	1	Lower section of frame
5a	0018-3955-300	1	Cone connection D50 DIN 11851
5b	0013-2845-300	1	Grooved coupling nut F50 DIN 11851
5c	0007-2211-750	1	Gasket G50 DIN 11851
6	0007-2954-750	1	Gasket 590/4
7	0019-7036-400	8	Hex head screw M16x35 DIN 933
8	0004-2290-400	8	Gasket 16,7/24x1,5
9	0007-2113-750	1	Gasket 94/104x6
10	1167-1045-000	1	Pipe connection
11	0019-6968-300	3	Hex head screw M 12x25 DIN 933
12	0007-2571-750	1	Gasket 297/4
13	0026-1325-400	8	Lock washer A8 DIN 127
14	0019-6122-400	8	Allen screw M 8x20 DIN 912
15	1167-1219-010	1	Operating-water feed
16	1168-1018-000	1	Sediment collector
17	0007-2580-750	1	Gasket 42/2,5
18	1166-1183-000	1	Plug
19	0013-0404-400	2	Cap nut M 8 DIN 1587
20	0007-2320-750	1	Gasket 45/35x5
21	0007-2803-840	1	Gasket 770/758x9,8
22	0019-0840-400	1	Oil drain screw
23	0004-5037-710	1	Gasket 38/50x1,5
24	0019-3250-300	3	Lens head screw M 6x15 DIN 964
-	0001-0007-300	1	Sight glass assembly (25a-d)
25a	0004-5041-740	2	Gasket 48/57x1
25b	0001-0046-820	1	Sight glass
25c	0019-1620-300	1	Threaded ring
25d	0001-0021-300	1	Sight glass frame
26	0004-5346-770	1	Gasket 70/110x0,3
27	0026-1371-400	4	Washer
28	0019-6970-400	4	Hex head screw M 12x30 DIN 933
29	3050-1085-010	1	Ventilation grid
30	0019-6966-400	4	Hex head screw M 12x20 DIN 933
31	0026-1375-300	4	Washer
-	3170-3495-010	1	Revolution indicator assembly (32a-h)
32a	0004-5523-750	1	Sealing ring A 12x22x7 DIN 3760
32b	0026-1049-030	2	Cylindrical pin 3h6x24 DIN 7
32c	3117-3497-020	1	Revolution indicator disc
32d	0019-1543-400	1	Oil fill screw
32f	3170-3510-000	1	Housing
32g	0026-5694-030	1	Cylindrical pin 12h8x302
32h	3117-3487-000	1	Worm wheel
33	0007-2229-750	1	Gasket 40/48x5
34	0019-1548-400	1	Plug
35	0004-5762-700	1	Gasket 273/322 x 2
36	0007-2208-750	1	Gasket G 25 DIN 11851
37	1167-1074-000	1	Bush
38	0007-2507-750	1	Gasket 16/3,5
-	1168-7759- L	1	Hood assembly (41a-41n)
41a	0004-2364-758	1	Packing cord 8x8x3300
41b	0019-6970-400	8	Hex head screw M 12x30 DIN 933
41c	1168-7765- L	1	Hood
41d	0007-2262-750	1	Gasket 45/57x6
41f	1165-1061-000	1	Inspection cover
41g	0013-2646-300	2	Cap nut M10
41h	0013-2626-400	4	Cap nut M12
41k	0018-3939-300	1	Cone connection D 25 DIN 11851
41m	0013-2842-300	1	Grooved coupling nut F25 DIN 11851
41n	0007-2208-750	1	Gasket G 25 DIN 11851

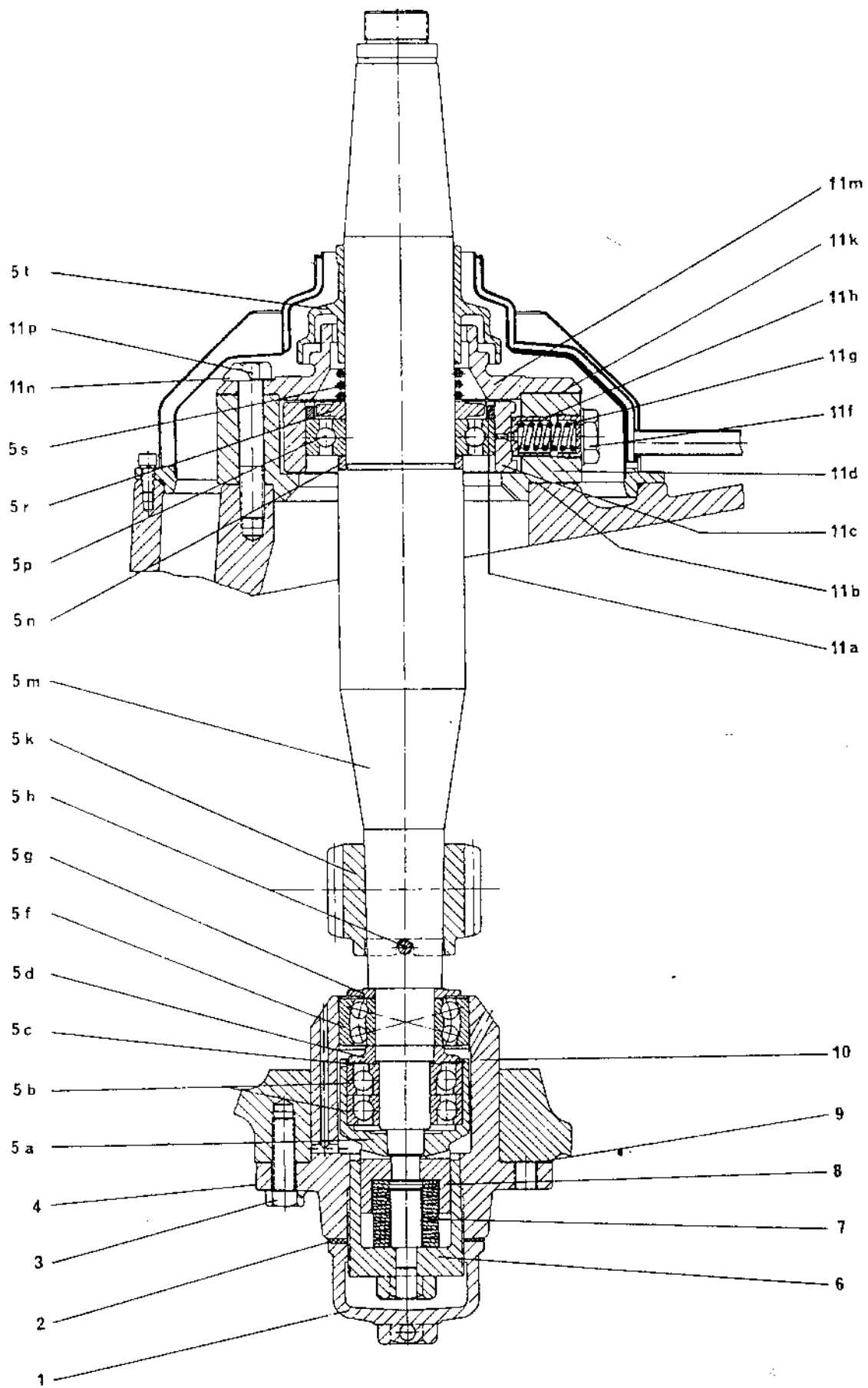


Fig. 14

Parts that differ from the standard design (i.e. parts ending with "L") are specified on the Machine Specification Sheet.

No. in Fig.	Part - No.	Qty.	Part Description
1	0010-8003-210	1	Bottom bearing cap
2	0004-2221-740	1	Gasket 80/108x2
3	0019-7038-150	4	Hex head screw M 16x45 DIN 933
4	0026-5894-600	4	Safety washer 17 DIN 93
-	1166-3429- L	1	Worm spindle assembly (5a-t)
5a	0010-8012-020	1	Bottom bearing pressure housing
5b	0011-7307-100	2	Angular contact ball bearing 7307 BGM/P6 DIN 628
5c	0026-2109-170	1	Snap ring
5d	0008-4008-030	1	Ball bearing protection ring
5f	0011-2308-120	1	Pendulum ball bearing 2308 M/P6 DIN 630
5g	0008-4008-020	1	Ball bearing protection ring
5h	0026-1563-120	1	Cylindrical notched pin 10x70 DIN 1473
5k	1166-3423- L	1	*
5m	1166-3410- L	1	Worm
5n	0008-7512-010	1	Spindle
5p	0011-6215-110	1	Ring
5r	0008-7508-000	1	Grooved ball bearing 6215 / P6 DIN 625
5s	0006-4311-160	1	Ball bearing protection ring
5t	0008-7501-670	1	Cylindrical pressure spring
6	0010-8002-040	1	Spindle cap
7	0006-4440-160	1	Bottom bearing threaded piece
8	0010-8001-200	1	Spring column
9	0004-5793-770	1	Bottom bearing pressure piece
10	3050-1112-020	1	Gasket 130/204 x 0,3
-	0008-7500-000	1	Bottom bearing housing
11a	0008-7509-000	1	Neck bearing bridge assembly with covering (11a-p)
11b	0004-5851-770	1	Distance ring
-	0008-7510-000	1	Gasket 176/235 x 0,3
11c	0008-7507-020	1	Neck bearing bridge assembly (11c-h)
11d	0008-7506-030	1	Pressure ring
11f	0019-1423-030	1	Neck bearing bridge
11g	0006-4380-090	9	Threaded plug
11h	0026-2220-110	1	Set of neck bearing springs
11k	0004-5854-770	9	Spring piston
11m	0008-7502-030	1	Gasket 167/250 x 0,3
11n	0026-5894-600	1	Protection cap
11p	0019-6616-150	3	Safety washer 17 DIN 93
		3	Hex head screw M 16x100 DIN 933

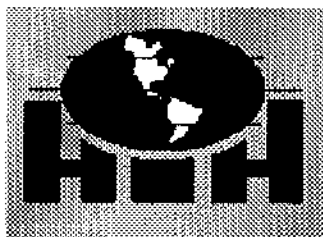
* When worm is worn and needs replacement, it is recommended to replace the worm wheel assembly with clamp plates 10 (fig. 15) at the same time, because the latter is no longer in perfect condition either and can thus lead to premature wear of the new worm.

HORIZONTAL DRIVE (NO DIAGRAM)			
No. in Fig.	Part - No.	Qty.	Part Description
1	5970-L	1	* Motor, type A 200 SA-4g, B5, 37 kW
-	1166-1021-L	1	Flange assembly (2a-m)
2a	0013-0282-400	4	Hexagon nut M 16 DIN 934
2b	0026-1330-190	4	Lock washer A 16 DIN 127
2c	0007-2501-750	2	Gasket 23/3
2d	0005-0226-300	2	Plug Pg 21
2f	0019-7727-090	4	Stud M 16x45 DIN 939
2g	0019-6839-300	8	Hex head screw M 6x10 DIN 933
2h	1080-1475-060	1	Cover
2k	1166-1028-L	1	Flange
2m	0019-6202-150	8	Allen screw M 16x45 DIN 912
3	0019-6150-150	3	Allen screw M 10x55 DIN 912
4	0026-1640-030	1	Washer
5	0006-4404-010	1	Cup spring
8	0019-6938-150	3	Hex head screw M 10x35 DIN 933
9	3050-3375-010	1	Bearing cover
10	1166-3449-L	1	Worm wheel assembly with clamp plates
10a	1166-3447-000	1	** Clamp plate with toothing
10b	1166-3446-000	1	** Clamp plate
10c	0019-6525-150	4	** Hex head screw M 10x110 DIN 931
-	1166-3368-010	1	Brake drum assembly (11a-d)
11a	0019-6144-150	6	Hex head screw M 10x25 DIN 912
11b	0026-1337-170	6	Lock washer A 10 DIN 127
11c	1166-3371-010	1	Brake drum
11d	3170-3371-000	1	Brake ring
12	0026-0405-030	1	Washer
13	0019-6150-150	2	Allen screw M 10x55 DIN 912
14	0019-8974-150	2	Threaded pin AM 8x15 DIN 914
-	3170-1043-000	2	Brake assembly (15a-f)
15a	0021-3514-300	2	Brake handle
15b	3170-1031-000	2	Brake bolt (with lining)
15c	0021-3537-300	2	Brake housing
15d	0006-4208-160	2	Cylindrical pressure spring
15f	0021-4096-850	2	Brake lining
-	0026-1263-550	8	Countersunk rivet
16	0026-1353-400	4	Washer
17	1168-1065-000	1	Fan cover
18	0019-6608-400	4	Hex head screw M 16x60 DIN 931
19	0019-6938-150	3	Hex head screw M 10x35 DIN 933
20	0004-1954-830	2	Felt ring 45/58 x 5,5
21	3170-3375-000	1	Bearing cover
22	0004-1822-740	1	Gasket 90/140 Ø x 1
23	0013-0448-090	1	Grooved nut M 50x1,5
24	0011-6210-000	1	Grooved ball bearing 6210 DIN 625
25	1166-3400-000	1	Worm wheel shaft
26	0011-6210-000	1	Grooved ball bearing 6210 DIN 625
27	0004-1822-740	1	Gasket 90/140 Ø x 1
28	0004-1955-830	2	Felt ring 50/66 x 7
29	see page 16/1	1	Fluid clutch (see fig. 16)
30	0019-8984-150	1	+) Threaded pin M 10x25 DIN 914
31	3158-3389-L	1	Cam hub
32	3158-3282-000	1	Cam ring
33	1166-3131-000	2	Bearing housing
34	0004-1850-740	2	Gasket 99/140 x 1
35	0026-1369-030	2	Washer 10,5 DIN 433
36	0019-2507-400	1	Lens head screw AM 6x10 DIN 85
37	0018-1276-400	1	Pipe clamp
38	0018-0585-848	1	Pipe
39	1166-3710-000	1	Nozzle

* When ordering this part, please state also voltage and frequency.

** This part is included in worm wheel assembly with clamp plates 10, but it is also available as separate item. When worm wheel is worn and needs replacement, it is recommended to replace the worm spindle 5k (fig. 14) at the same time (see sect. 8.5, no. 4).

+) This part is included in cam hub 31, but it is also available as separate item.



Hutchison-Hayes Separators, Inc.

This is a Spacer Page

P.O. Box 2965 ♦ Houston, Texas 77252
3520 East Belt ♦ Houston, Texas 77015
(713) 455-9600 ♦ Fax (713) 455-7753

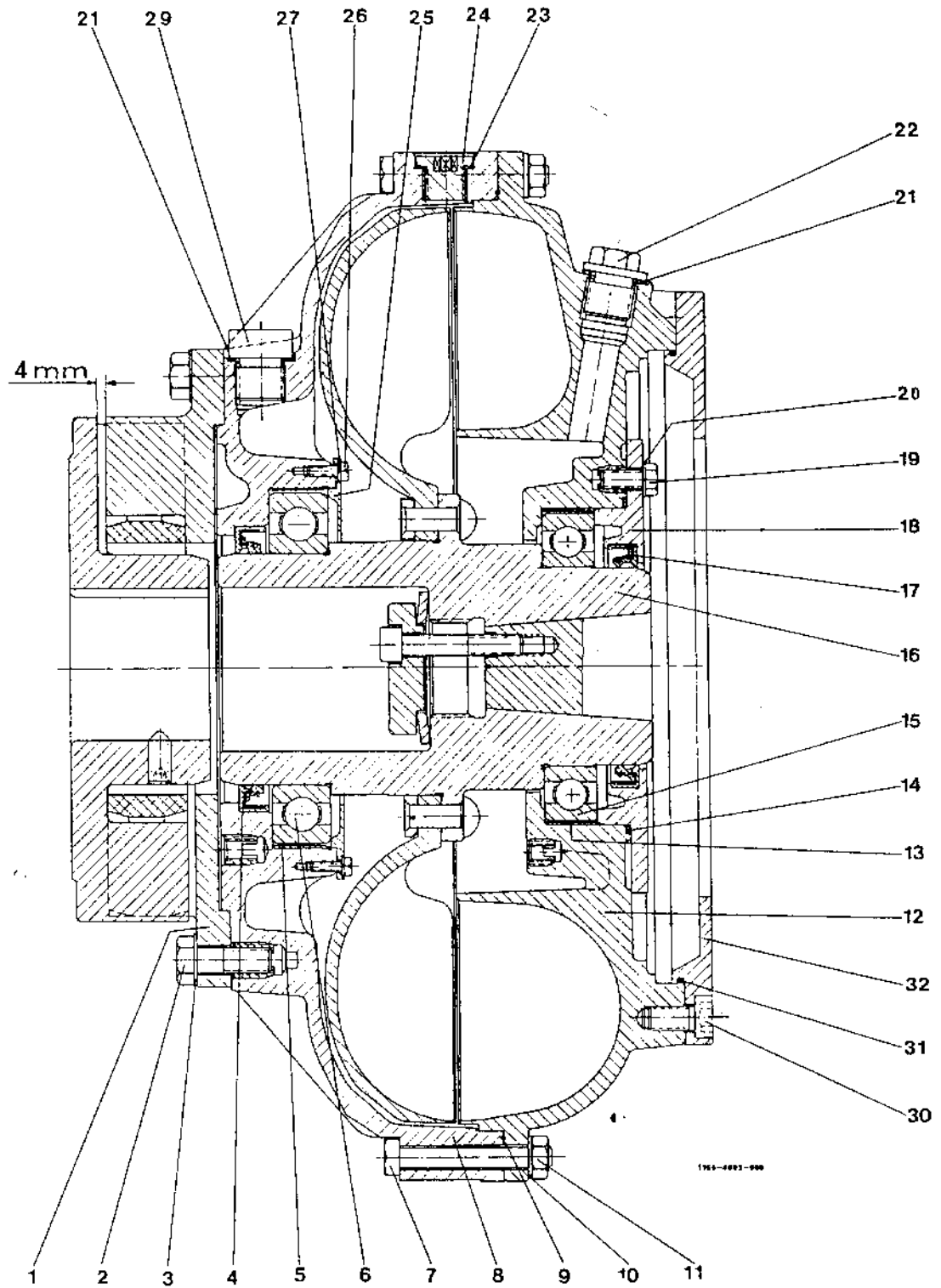
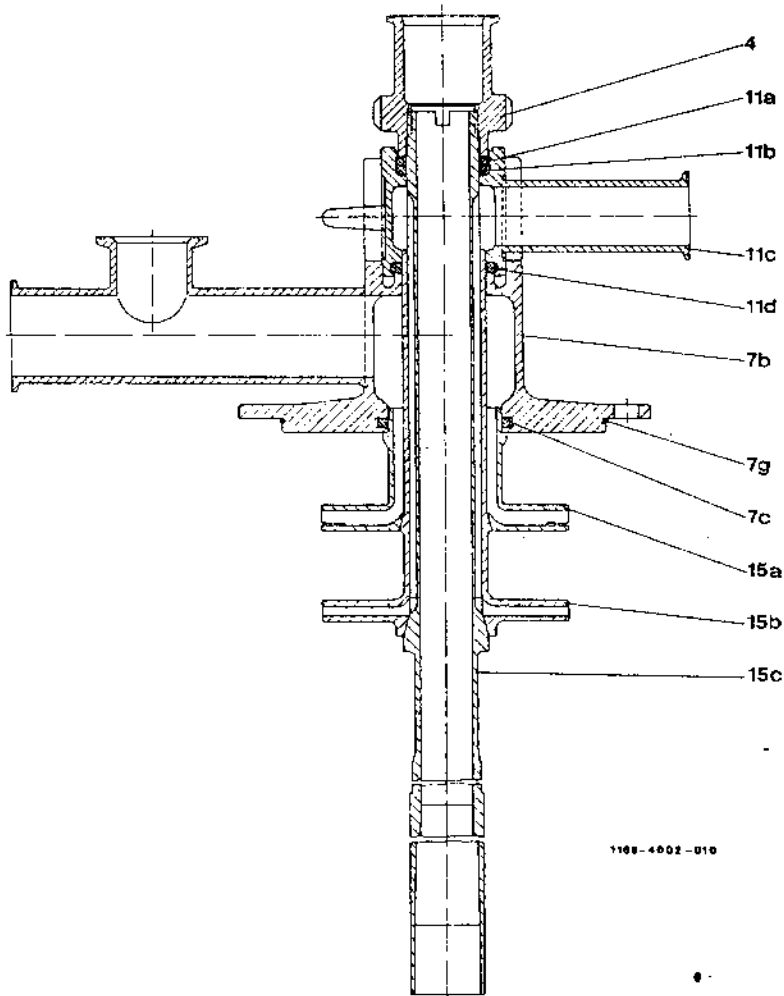


Fig. 16

No. in Fig.	Part - No.	Qty.	Part Description
-	1166-3280-L	1	Fluid clutch assembly (1-32) (see also fig. 15, no. 29)
1	-	1	* Cam flange
2	-	8	** Hex head screw M 12x35 DIN 931
3	-	8	** Spring washer B 12 DIN 137
4	0004-2913-830	1	Sealing ring 105x130x13
5	0026-0182-170	1	Spacer ring ANS 160x26
6	0011-6021-380	1	Grooved ball bearing 6021 MA/C4 DIN 625
7	-	36	** Hex head screw M 10x70 DIN 931
8	-	1	* Clutch casing 470 ϕ
9	0004-2385-858	1	Packing cord 1 mm ϕ , 1400 mm long
10	0026-0771-170	36	Spring washer B 10 DIN 137
11	-	36	** Hexagon nut M 10 DIN 934
12	-	1	* Primary wheel 470 ϕ
13	0026-0180-170	1	Spacer ring AN 140x24
14	0007-2944-830	1	Gasket 140/3 ϕ
15	0011-6018-380	1	Grooved ball bearing 6018 MA/C4 DIN 625
16	-	1	* Secondary hub with secondary wheel 425 ϕ
17	0004-2912-830	1	Sealing ring 90x110x13
18	-	1	** Sealing ring cover
19	-	8	** Hex head screw M 8x20 DIN 933
20	0026-0770-170	8	Spring washer B 8 DIN 137
21	0004-2144-280	2	Gasket 22/29 ϕ x 1,5
22	-	1	** Lock screw M 22x1,5x20
23	0004-2131-280	1	Gasket 18/24 ϕ x 1,5
24	0019-1490-000	1	Threaded plug M 18x1,5x15
25	-	1	** Oil control ring 119/192 ϕ x 4,5
26	-	8	** Cylindrical screw AM 5x15 DIN 84
27	-	8	** Lock washer 5 DIN 7980
29	0019-1551-090	1	Oil fill screw M 22x1,5
30	0019-8385-150	4	Cylindrical screw M 12x25 DIN 7984
31	0007-2035-750	1	Gasket 280/3
32	1166-3367-000	1	Ring

* If this part needs replacement, the complete clutch must be returned to the factory for repair. Instead of part-number state item-number (see first column).

** Instead of part-number state item-number (see first column).



1168-4002-010

Fig. 18

Feed and Discharge Connections and Centripetal Pump

=====

No. in Fig.	Part - No.	Qty.	Part Description	
-	1168-2296-L +)	1	Feed and discharge connections, compl. (4-11d)	
4	1168-2189-000	1	<div style="border-left: 1px solid black; border-right: 1px solid black; padding-left: 5px;"> Connection piece Lower discharge assembly (7b-g) Lower discharge Gasket 63/75x6 Gasket 170/3 Upper discharge assembly (11a-d) Gasket 41,5/53x5 Gasket 41/53x6 Upper discharge Gasket 47/59x6 </div>	
-	1166-2295-L +)	1		
7b	1166-2285-L +)	1		
7c	0007-2163-750	1		
7g	0007-2564-750	1		
-	1168-2289-L +)	1		
11a	0007-2661-840	1		
11b	0007-2880-750	1		
11c	1168-2286-L +)	1		
11d	0007-2890-750	1		
-	1166-2213-L +)	1		Centripetal pump assembly (15a-c)
15a	1166-2252-L +)	1		Skim milk pump 140 mm ϕ - 5 1/2" dia. (for maximum discharge pressure of 70 psi).
15b	1166-2241-L +)	1		Cream pump 140 mm ϕ - 5 1/2" dia. (for maximum discharge pressure of 70 psi)
15c	1166-2246-L +)	1		Feed tube

+) Parts that differ from the standard design (i.e. parts ending with letter "L") are specified on the Machine Specification Sheet.

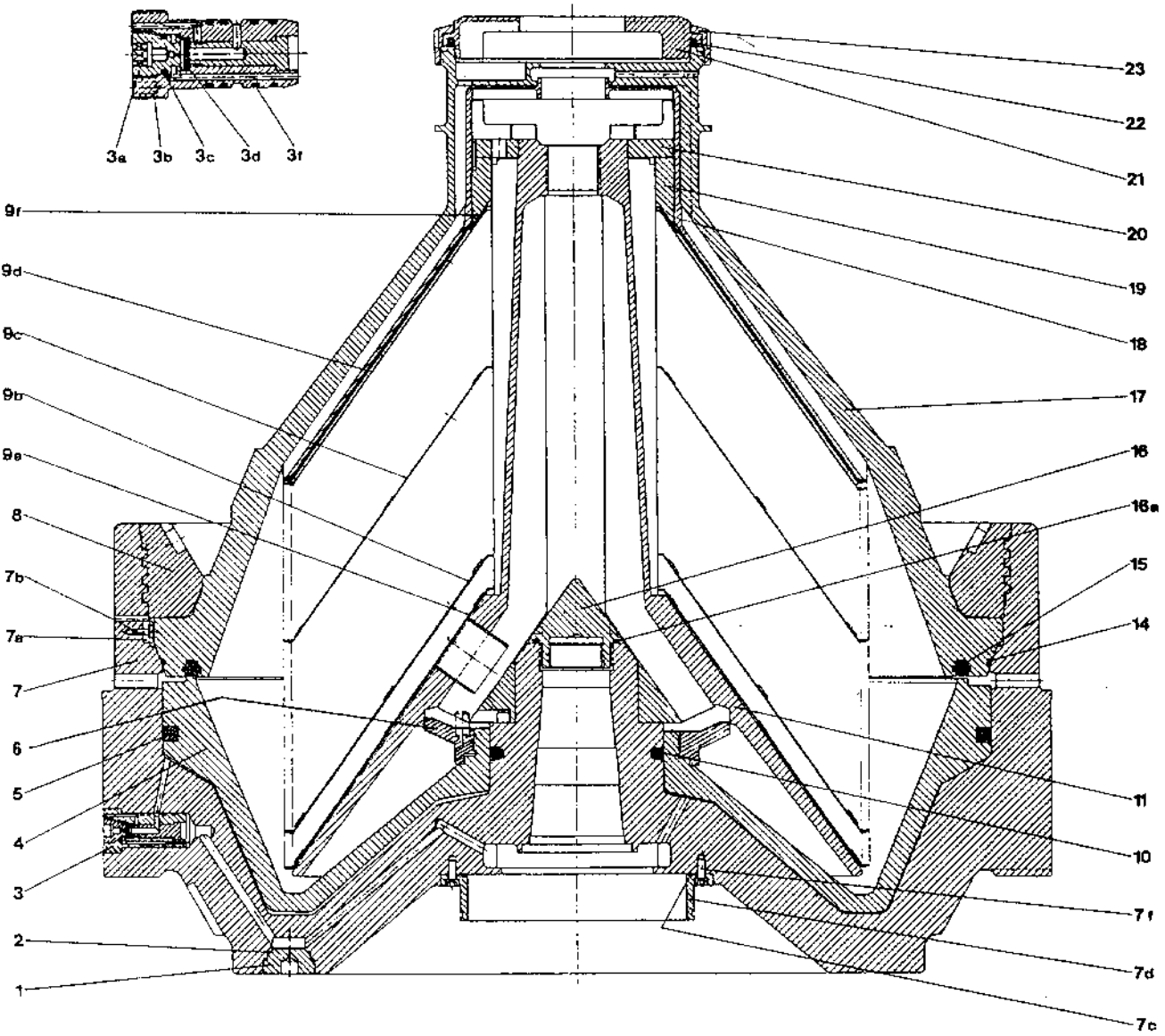


Fig. 19

No. in Fig.	Part - No.	Qty.	Part Description
-	1168-6600-L +)	1	Bowl, complete (1-23)
1	0019-1450-400	1	Threaded plug M 42x1,5
2	0007-1970-690	1	Gasket 26,5/35 ϕ x 5,25
3	3158-6280-L +)	1	Valve in bowl bottom (3a-f)
3a	3158-6279-000	1	<div style="border-left: 1px solid black; padding-left: 5px;"> Threaded plug Valve housing Gasket 11,3/2,4 ϕ Sealing disc Gasket 23,3/2,4 ϕ </div>
3b	3158-6282-000	1	
3c	0007-2503-750	1	
3d	0004-5502-850	1	
3f	0007-2920-750	4	
4	1168-6501-L +)	1	* Sliding piston
5	0007-2964-750	1	Gasket 636/660 ϕ x 12
6	1168-6597-000	1	Ring
7	1168-6604-L +)	1	* Bowl bottom, complete
7a	3117-6609-010	1	** Arresting piece
7b	0019-2233-400	1	** Cylindrical screw AM 5x12 DIN B4
7c	0007-2640-750	1	** Gasket 150/3 ϕ
7d	1168-6598-000	1	** Ring
7f	0019-6108-400	4	** Allen screw M 6x20 DIN 912
8	1168-6631-L +)	1	* Lock ring S 700x14
-	1168-6660-L +)	1	* Set of discs (9a-f)
9a	1168-6662-L +)	1	<div style="border-left: 1px solid black; padding-left: 5px;"> Bottom disc Disc Disc Compensating disc Top disc </div>
9b	1168-6663-L +)	4	
9c	1168-6663-L +)	218	
9d	1168-6664-L +)	1	
9f	1166-6666-L +)	1	
10	0007-2647-750	1	
11	1168-6620-L +)	1	* Distributor
14	0007-2546-750	1	Gasket 600/5 ϕ
15	0007-2466-840	1	Gasket 606/627 ϕ x 15
16	0013-3116-400	1	Spindle nut, complete
16a	0007-2382-850	1	** Gasket 60/70 ϕ x 4
17	1168-6610-L +)	1	* Bowl top
18	1168-6650-L +)	1	Separating disc
19	1168-6670-L +)	1	Upper disc (specially shaped)
20	1166-6420-L +)	1	Retaining ring
21	1166-6645-L +)	1	Centripetal pump chamber cover
22	0007-2854-750	1	Gasket 190/202 ϕ x 6
23	1165-6631-L +)	1	Lock ring Tr 215x6

* This part can only be replaced by a WESTFALIA or by a CENTRICO service engineer, because of special re-fitting to machine and possible re-balancing of bowl.

** This part is included in the previous "complete" part, but it is also available as separate item.

+) Parts that differ from the standard design (i.e. parts ending with letter "L") are specified on the Maschine Specification Sheet.

On special order only.

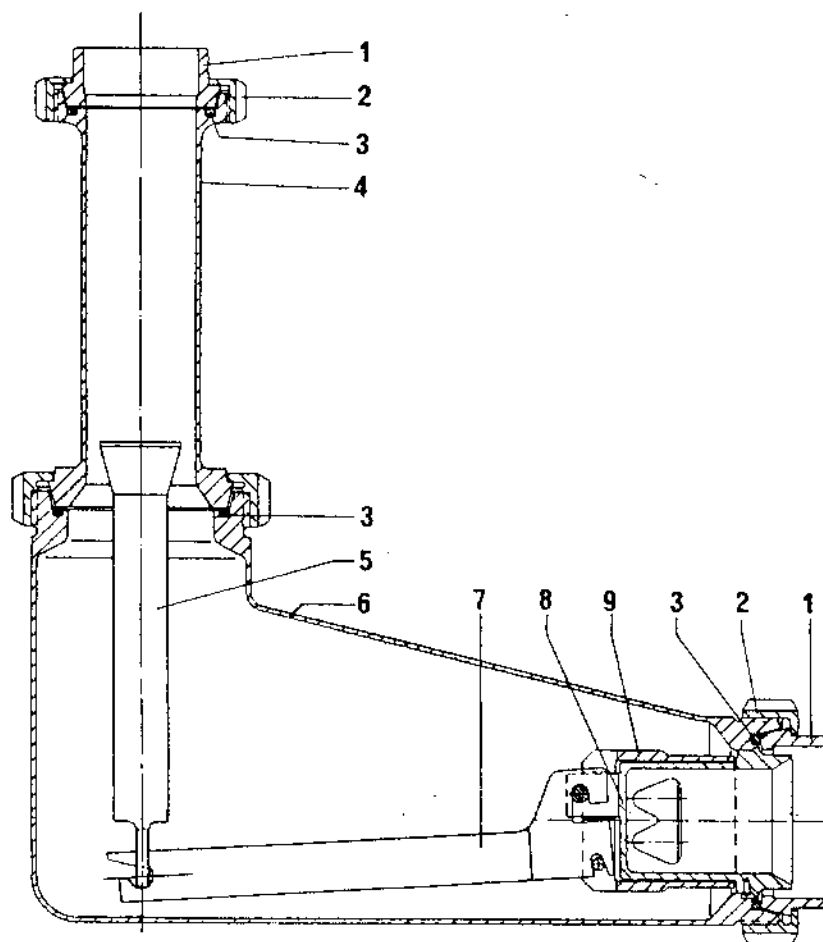
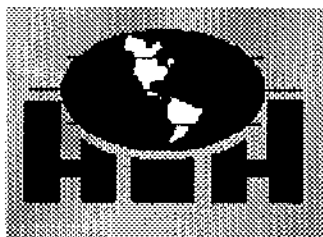


Fig. 22

No. in Fig.	Part - No.	Qty.	Part Description
-	8251-2...-070	1	Flow constrictor, complete (1-9)
1	0018-4636-400	2	Cone connection 65/50
2	0013-2846-300	2	Grooved coupling nut
3	0007-2212-750	3	Gasket G 65 DIN 11851
4	-	1	* Pipe
5	-	1	* Float
6	-	1	* Housing
7	-	1	* Throttling lever
8	-	1	* Throttling housing
9	-	1	* Regulating piece

* This part can only be replaced by a WESTFALIA factory engineer or by a special repair shop authorized by WESTFALIA, because of special re-fitting to machine. Therefore, when ordering this part, the flow constrictor must be returned to the factory.



Hutchison-Hayes Separators, Inc.

This is a Spacer Page

P.O. Box 2965 ♦ Houston, Texas 77252
3520 East Belt ♦ Houston, Texas 77015
(713) 455-9600 ♦ Fax (713) 455-7753

No. in Fig.	Part - No.	Qty.	Part Description
401	0003-3774-320	1	Allen wrench 4 DIN 911
-	0003-3775-320	1	Allen wrench 5 DIN 911
-	0003-3776-320	1	Allen wrench 6 DIN 911
-	0003-3777-320	1	Allen wrench 8 DIN 911
-	0003-3778-320	1	Allen wrench 10 DIN 911
-	0003-3780-320	1	Allen wrench 14 DIN 911
402	0003-4224-110	1	Single-ended wrench 55 (for spindle nut)
403	0003-4202-320	1	Double-ended wrench 12x13 DIN 3110
-	0003-4205-320	1	Double-ended wrench 17x19 DIN 3110
-	0003-4208-320	1	Double-ended wrench 22x27 DIN 3110
-	0003-4209-320	1	Double-ended wrench 24x30 DIN 3110
-	0003-4211-320	1	Double-ended wrench 27x32 DIN 3110
-	0003-4222-320	1	Double-ended wrench 36x41 DIN 3110
404	0003-3846-000	1	Pivoted hook wrench NW 25-90
405	0003-0200-000	1	Mallet
406	0003-0303-000	1	Splash cover
408	0003-0168-890	1	Funnel
410	0003-4695-960	1	Brush 70x100x500
411	0003-4667-800	1	Rotary brush 26/41x216
412	0003-4690-960	1	Brush 50x125x285
413	0003-4540-960	4	Cylindrical brush 10x40x160
-	0003-4544-960	4	Cylindrical brush 15x85x285
-	0003-4551-800	1	Cylindrical brush 20x100x800
-	0003-4552-960	1	Cylindrical brush 45x110x270
414	1087-9910-010	1	Pulling device (for cam hub, fluid clutch)
415	0018-3430-030	1	Pipe M 22x1,5x200 (for fluid clutch)
416	0003-0590-000	1	Socket wrench with torque indicator
417	0003-0601-320	1	Socket 8
418	1166-9972-000	1	Lifting device for spindle
419	1166-9910-010	1	Press-off device (for fluid clutch)
420	0003-4636-050	1	Screwdriver 4,5x125
-	0003-4637-050	1	Screwdriver 8x150
421	0003-4291-110	1	Ratchet wrench 60
425	0003-0345-000	1	Annular wrench (for-large lock ring)
426	0003-4002-000	1	Annular wrench (for small lock ring)
427	1168-9930-000	1	Jack (for bowl top)
428	1166-9960-000	1	Jack (for sliding piston)
428a	1166-9805-000	1	* Pressure piece
429	0003-0124-000	1	Wrench (for feed tube)
430	1166-9820-000	1	Disc stack compressing device
431	2301-9970-000	1	Lifting device. (for annular wrench with lock ring)
432	0003-0217-030	1	Chisel
434	1168-9970-000	1	Mounting tool
435	1165-9840-010	1	Lifting device (for hood)
436	3050-9930-000	1	Jack (for bowl bottom)
437	1165-9855-000	1	Wrench (for valve in bowl bottom)
438	1165-9895-010	1	Socket wrench (for valve in bowl bottom)
-	0015-0050-090	2	5-litre can of Shell oil Turbo 27 Viscosity at 50°C: 21 cSt - X (for fluid clutch)
-	0015-0113-000	2	100-gram tube of special type grease (for threads on bowl)
-	0015-0106-060	1	0.5 kg can of roller bearing grease

* This part is included in jack 428, but it is also available as separate item.